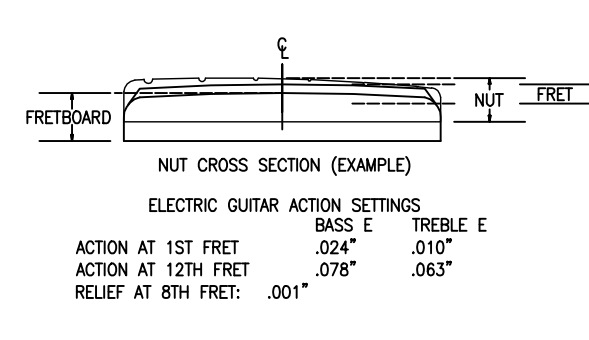
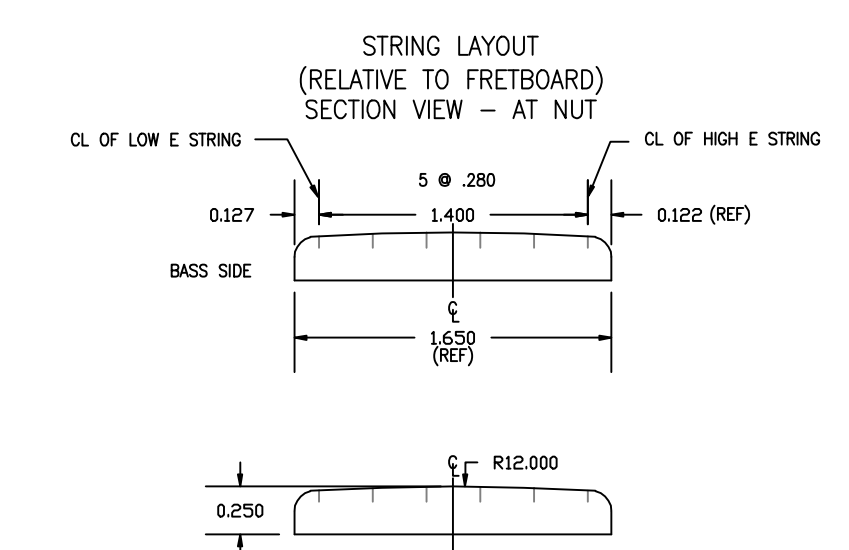
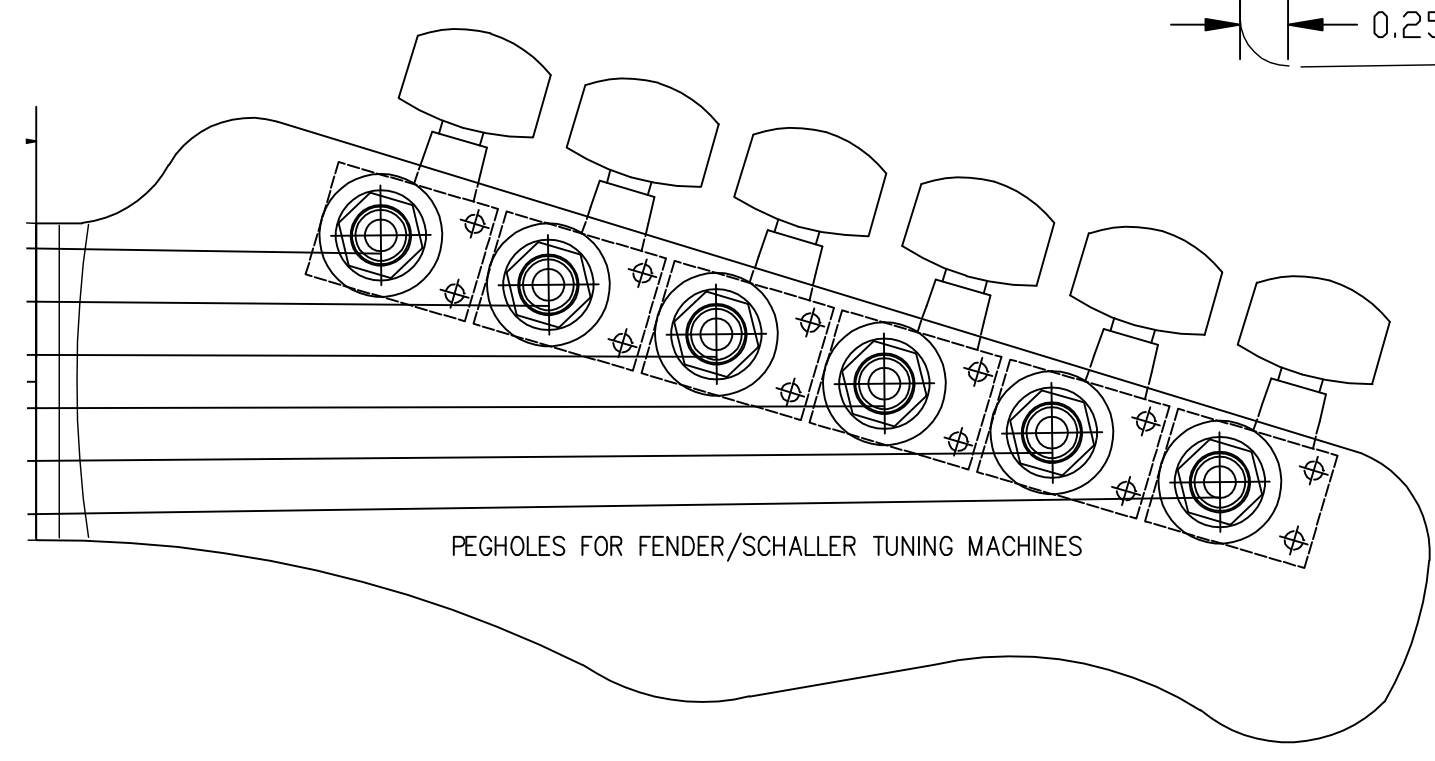
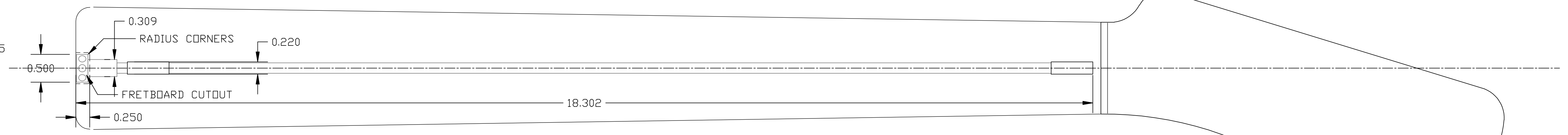
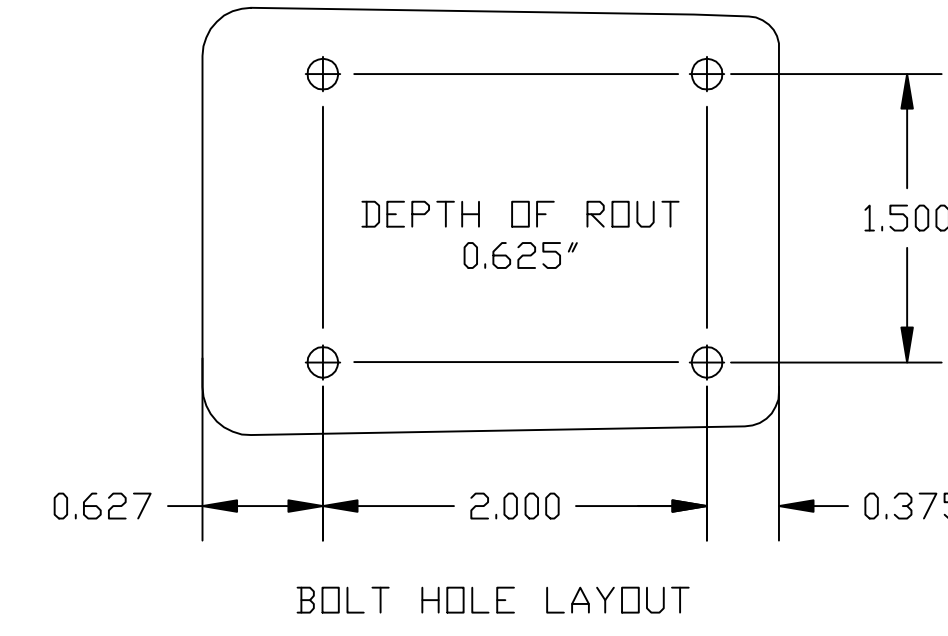
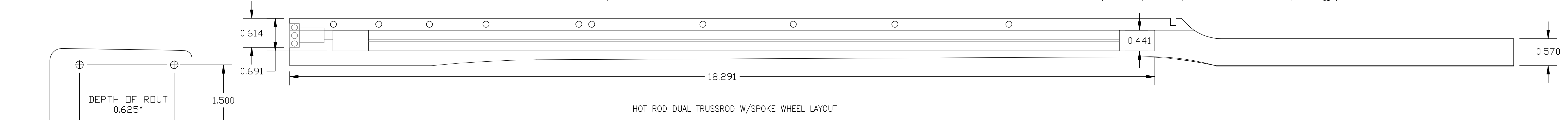
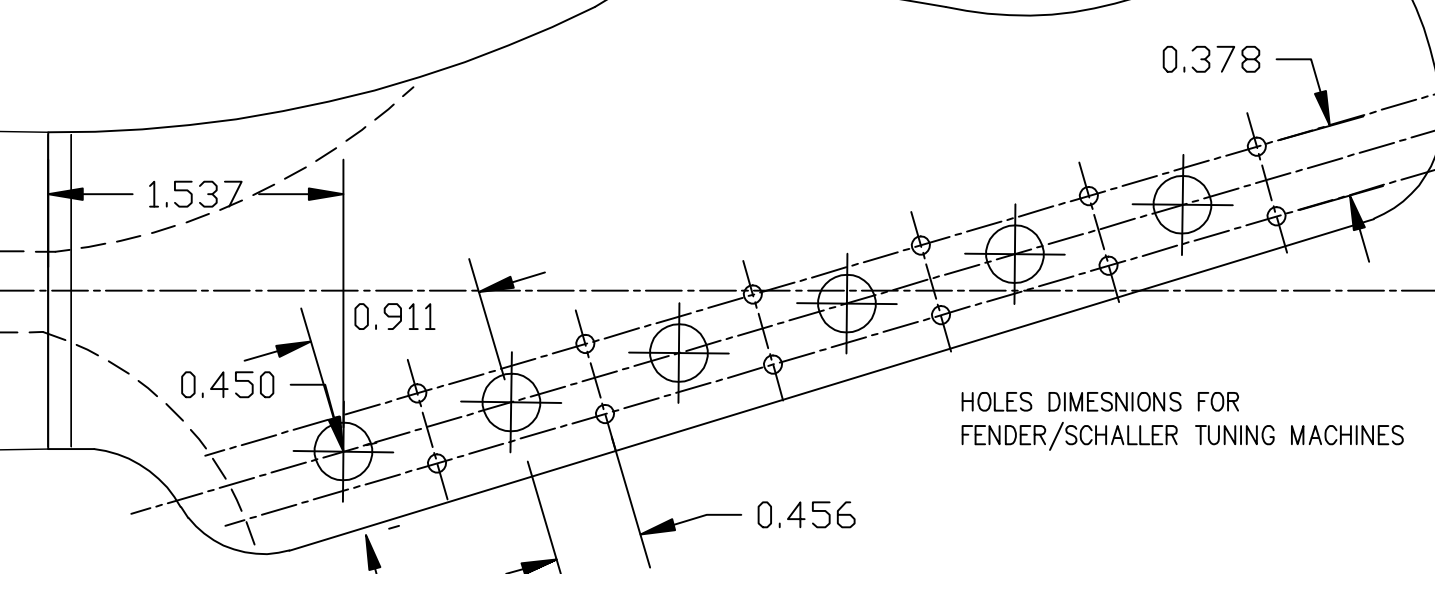
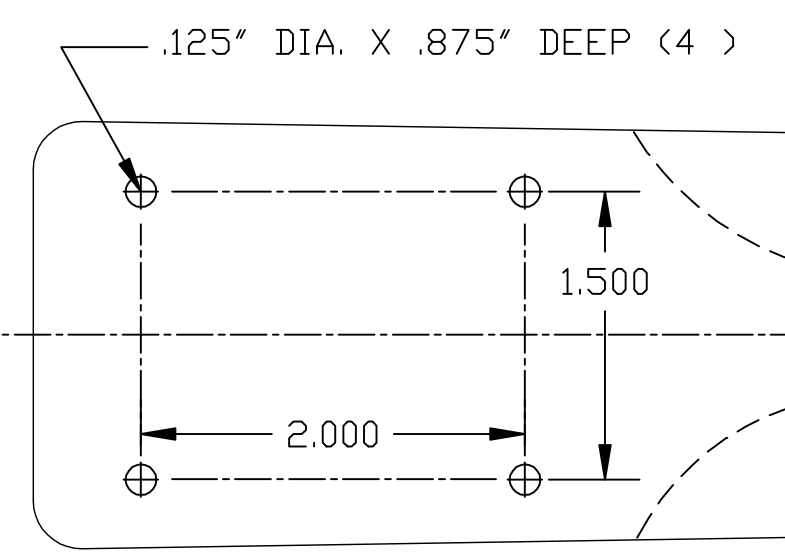
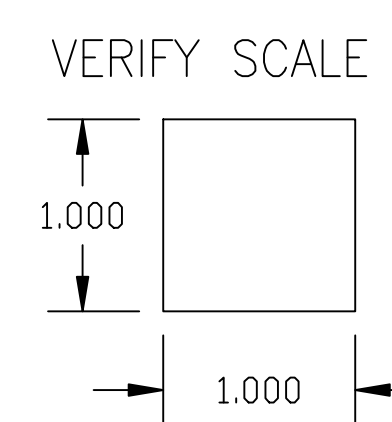


25.5" fret scale

fret	from nut	fret to fret
1	1.431"	1.431" (nut-1)
2	2.782"	1.351" (1-2)
3	4.057"	1.275" (2-3)
4	5.261"	1.204" (3-4)
5	6.397"	1.136" (4-5)
6	7.469"	1.072" (5-6)
7	8.481"	1.012" (6-7)
8	9.436"	0.955" (7-8)
9	10.338"	0.902" (8-9)
10	11.189"	0.851" (9-10)
11	11.992"	0.803" (10-11)
12	12.750"	0.758" (11-12)
13	13.466"	0.716" (12-13)
14	14.141"	0.675" (13-14)
15	14.779"	0.638" (14-15)
16	15.380"	0.601" (15-16)
17	15.948"	0.568" (16-17)
18	16.484"	0.536" (17-18)
19	16.990"	0.506" (18-19)
20	17.468"	0.478" (19-20)
21	17.919"	0.451" (20-21)
22	18.344"	0.425" (21-22)



NOTES:

1. PEGHOLES ARE FOR FENDER/SCHALLER TUNING MACHINES
2. WHEN REQUIRING A DIFFERENT HEADSTOCK, PLACE OVER DRAWING AND ALIGN WITH CENTERLINE
3. NECK PROFILE TEMPLATES ARE NOT IDENTICAL REPLICAS OF ORIGINAL AND SHOULD ONLY BE USED AS A GUIDE.

DRAFTER 1:	DATE:
JMM	01/26/14
DRAFTER 2:	DATE:
REV1	DATE:
JMM	02/12/14
REV2	DATE:
REV3	DATE:
REV4	DATE:
RELEASED:	DATE:
JMM	01/26/14
FDR PERSONAL USE ONLY	

TELECASTER STYLE NECK
FULL SCALE PLANS
"HOT ROD" TRUSS ROD

SIZE: 34x22
DRAWING NO: JMG-1404-N-HR
SCALE: 1:1 (UNLESS OTHERWISE NOTED)